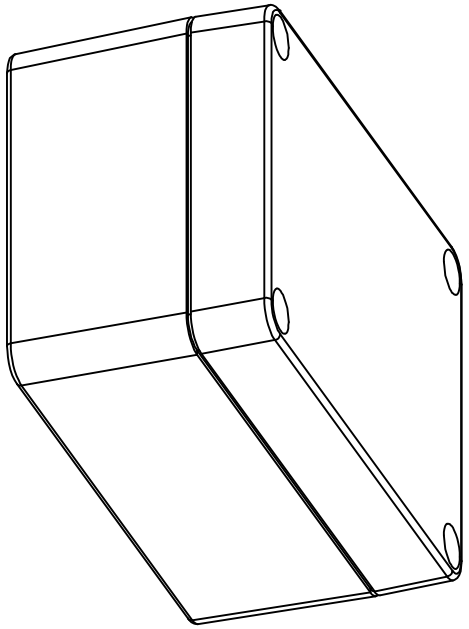
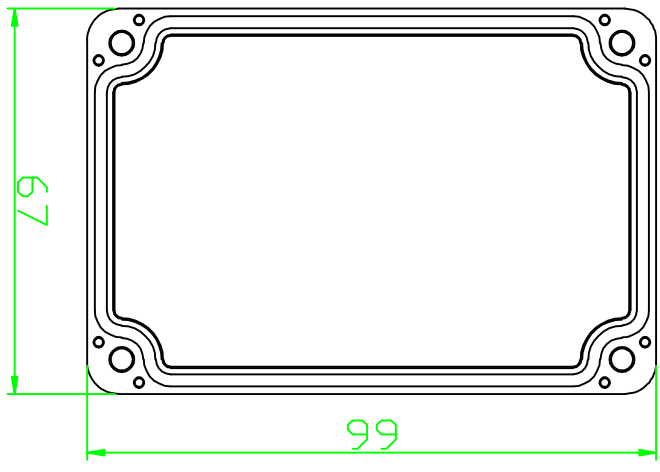
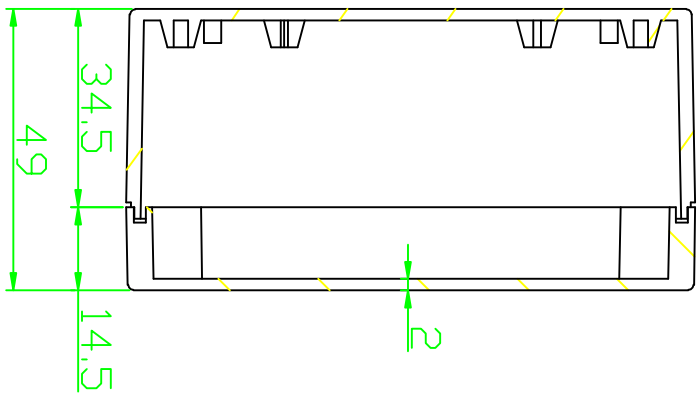
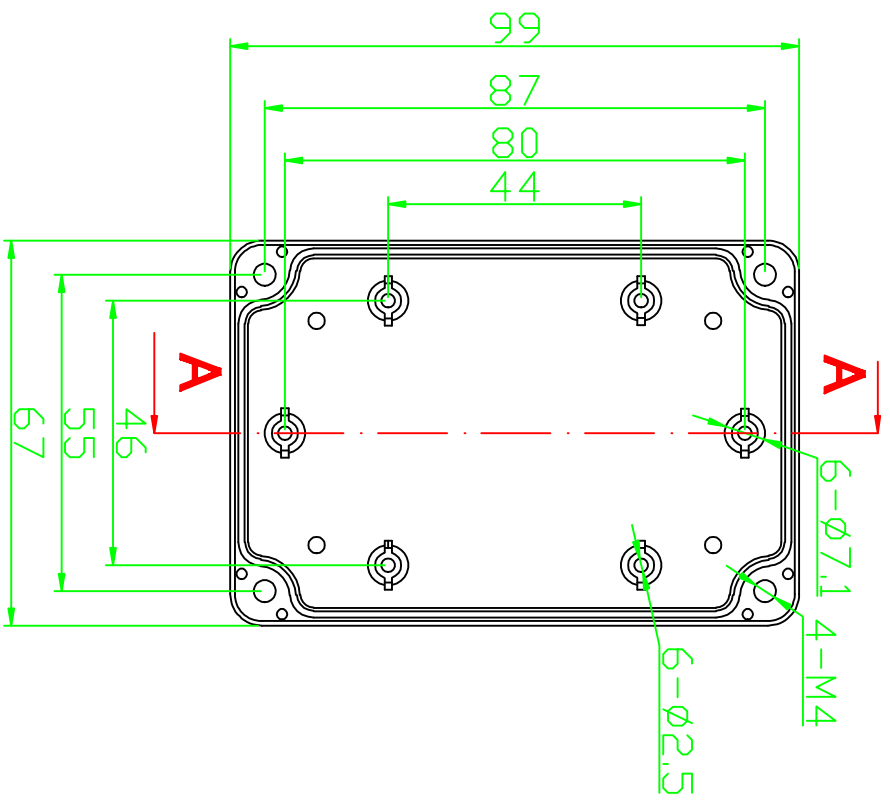


REVISION RECORD			
REV	ECD	DESCRIPTION	DRFT



DETACHED LISTS		MM	(INCH)
MM	±	±	±
0 ± 0.3	±	±	±
.00 ± 0.02	±	±	±
1000 ± 0.1	±	±	±
ANGLES ± 5°		±	±
FIRST ANGLE PROJECTION		±	±

NAME	DATE
Kawin	01/19/2019

DRAWN	CHECKED

ENG APPR	
----------	--

MATERIAL	QTY
ABS	1

FINISH	SCALE
	1:1

DRAWING NO.	
/PART NO.	00

TITLE	

DRAWING NO.	
/PART NO.	00

DD NDT SCALE DRAWING	SHEET 1	OF 1
----------------------	---------	------