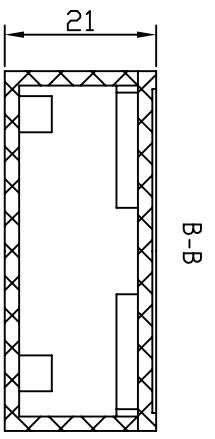
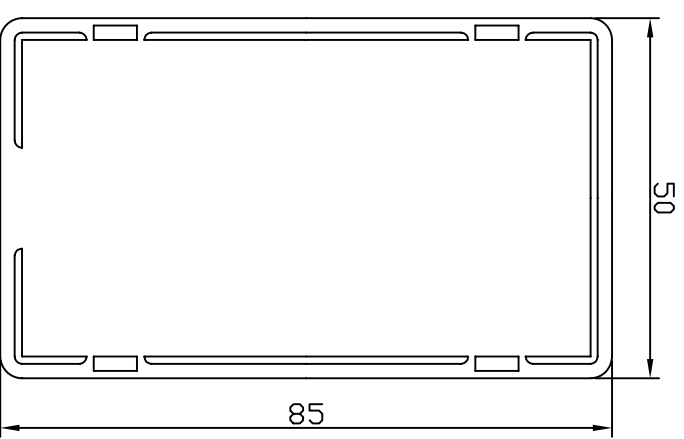
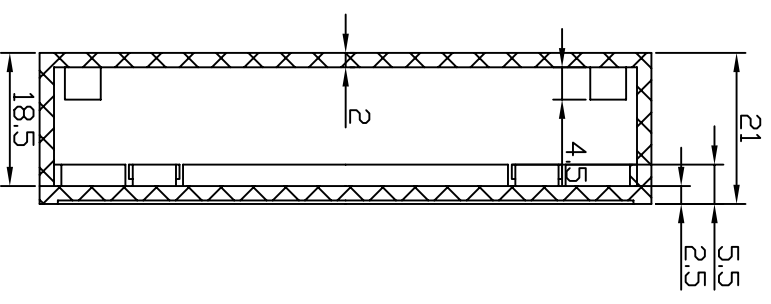
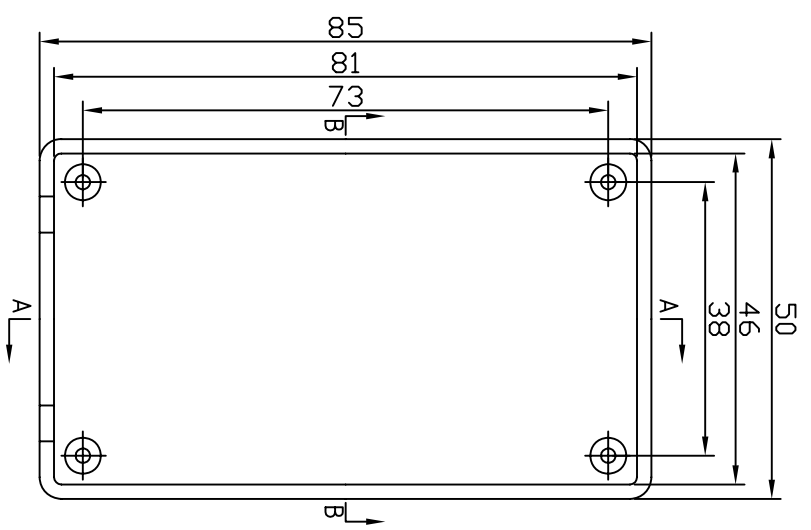


REVISION RECORD				
REV	ECD	DESCRIPTION	DRFT	CHKD



DETACHED LISTS		DRFTD	DATE
 THIRD ANGLE PROJECTION	TOLERANCES EXCEPT AS NOTED MM (INCHES) .0 ± 0.3 .00 ± 0.02 .000 ± 0.01	CHKD	
ANGLES ± 5°	MATERIAL: <b>ABS</b>	MFD	
 HOLE	FINISH:	APPV'L	
 CONES	QT'Y: 1		
SCALE: 1:1	DRAWING NO. PC002 /PART NO. 00		
DD NOT SCALE DRAWING	SIZE: A4 REV:		
SHEET 1 OF 1			